



Producer: **Copeland**

Line: **ZB**

Model: **ZB38KCE-TFD**

Cooling capacity [kW]: **7.92**

Displacement [m³/h]: **14.4**

Refrigerant: **R22, R134a, R404A, R407A, R407C, R407F, R448A, R449A, R450A, R513A**

Capacity control: **None**

Power supply: **400V/3Ph/50Hz**

Data

Technical data

Displacement	[m ³ /h]	14.4
Oil charge	[l]	1.90
Oil type		POE RL32-3MAF
Internal free volume	[dm ³]	4.2
Net weight	[kg]	37.50

Electrical data and limits

Power supply		400V/3Ph/50Hz
Maximum continuous current	[A]	12.8
Locked rotor amperage	[A]	65.5
Motor resistance main	[Ω]	2.74
Maximum suction pressure	[bar]	21.0
Maximum discharge pressure	[bar]	32.0
Maximum suction temperature	[°C]	50.0
Minimum suction temperature	[°C]	-35.0

Dimensions

Suction connection thread diameter	[inch]	1 1/4
Discharge connection thread diameter	[inch]	1
Length	[mm]	242
Height	[mm]	438
Width	[mm]	242

Other

Approved refrigerants	R22, R134a, R404A, R407A, R407C, R407F, R448A, R449A, R450A, R513A
Allowed oil types	POE RL32-3MAF, POE MOBIL EAL Arctic 22 CC
Capacity control	None
Protection rating	IP21 (IEC34)

Performance

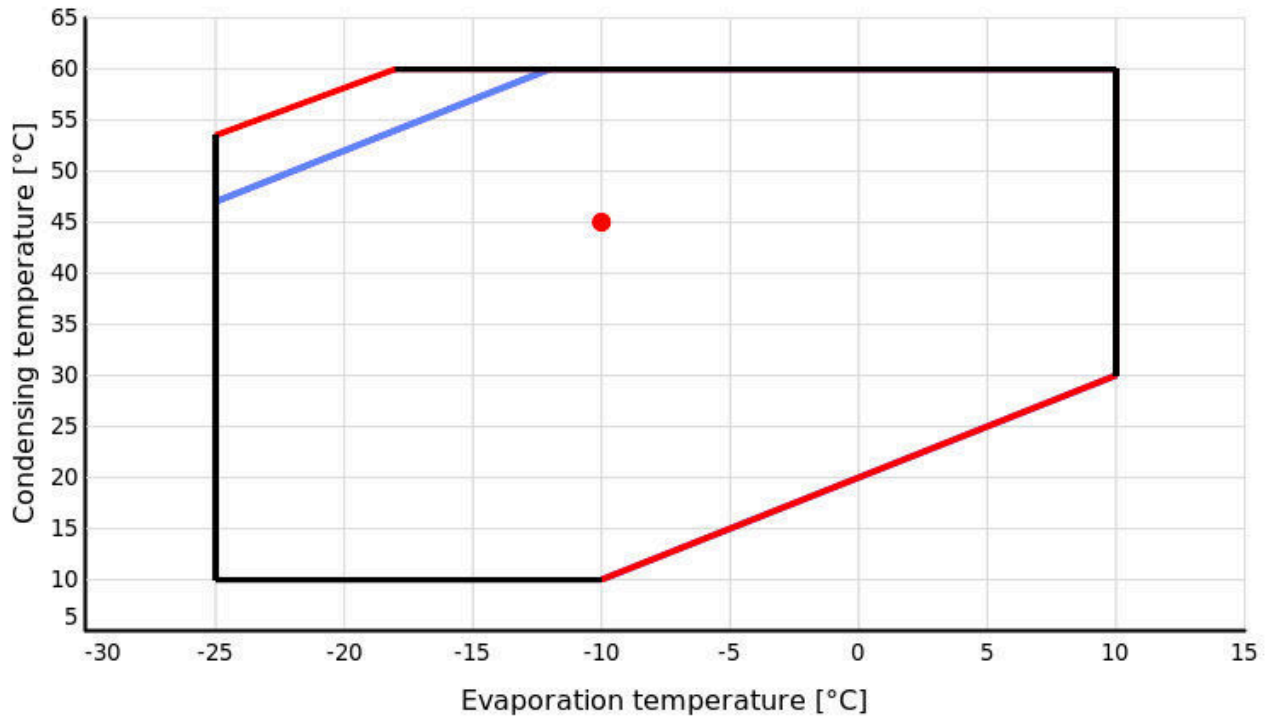
Nominal conditions: refrigerant: R404A, evaporation: -10°C (dew point), condensation: 45°C (dew point), superheating: 10K, subcooling: 0K

Cooling capacity

		Evaporation temperature [°C]								
		-25	-20	-15	-10	-5	0	5	7	10
Condensation temperature [°C]	10	7.08	8.82	10.86	13.25					
	15	6.69	8.34	10.28	12.55	15.17				
	20	6.29	7.84	9.68	11.84	14.33	17.18			
	25	5.86	7.33	9.07	11.10	13.46	16.17	19.26		
	30	5.43	6.80	8.42	10.34	12.56	15.13	18.07	19.35	21.39
	35	4.97	6.25	7.76	9.55	11.64	14.07	16.85	18.07	20.01
	40	4.50	5.68	7.08	8.75	10.70	12.98	15.60	16.76	18.60
	45	4.02	5.09	6.38	7.92	9.73	11.86	14.32	15.42	17.17
	50	3.52	4.49	5.66	7.07	8.74	10.71	13.02	14.05	15.70
	55		3.87	4.93	6.20	7.72	9.54	11.69	12.65	14.21
60			4.17	5.31	6.68	8.34	10.32	11.22	12.68	

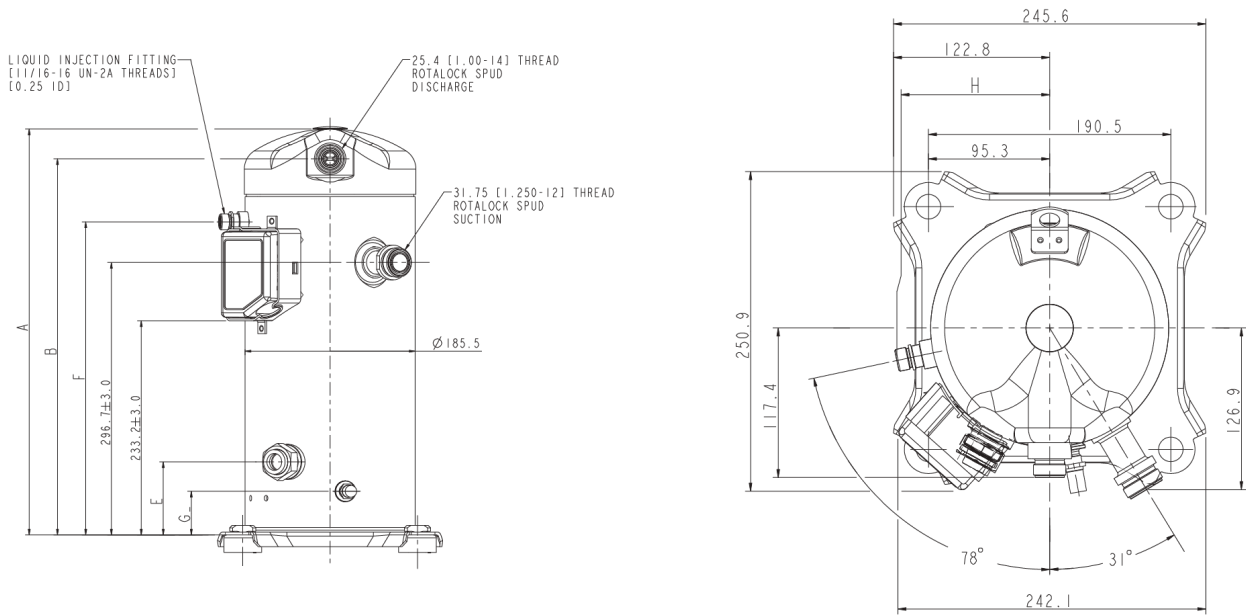
Power consumption

		Evaporation temperature [°C]								
		-25	-20	-15	-10	-5	0	5	7	10
Condensation temperature [°C]	10	1.85	1.84	1.82	1.79					
	15	2.10	2.09	2.08	2.06	2.03				
	20	2.37	2.37	2.36	2.34	2.32	2.28			
	25	2.67	2.67	2.66	2.65	2.63	2.60	2.56		
	30	3.00	3.00	3.00	2.99	2.98	2.95	2.92	2.90	2.87
	35	3.35	3.36	3.36	3.36	3.35	3.33	3.30	3.28	3.26
	40	3.75	3.76	3.76	3.76	3.76	3.74	3.71	3.70	3.68
	45	4.18	4.19	4.20	4.20	4.20	4.19	4.16	4.15	4.13
	50	4.65	4.67	4.68	4.68	4.68	4.67	4.65	4.64	4.63
	55		5.18	5.20	5.20	5.20	5.20	5.18	5.18	5.16
60			5.76	5.77	5.77	5.77	5.76	5.75	5.74	

Application range**Legend**

- Suction gas superheating: 10 K
- Suction gas temperature: 25°C
- Suction gas temperature: 20°C, ASERCOM certified

Dimensions



Dimensions

Dimension A	[mm]	437,7
Dimension B	[mm]	409,6
Dimension E	[mm]	79,5
Dimension G	[mm]	47,5